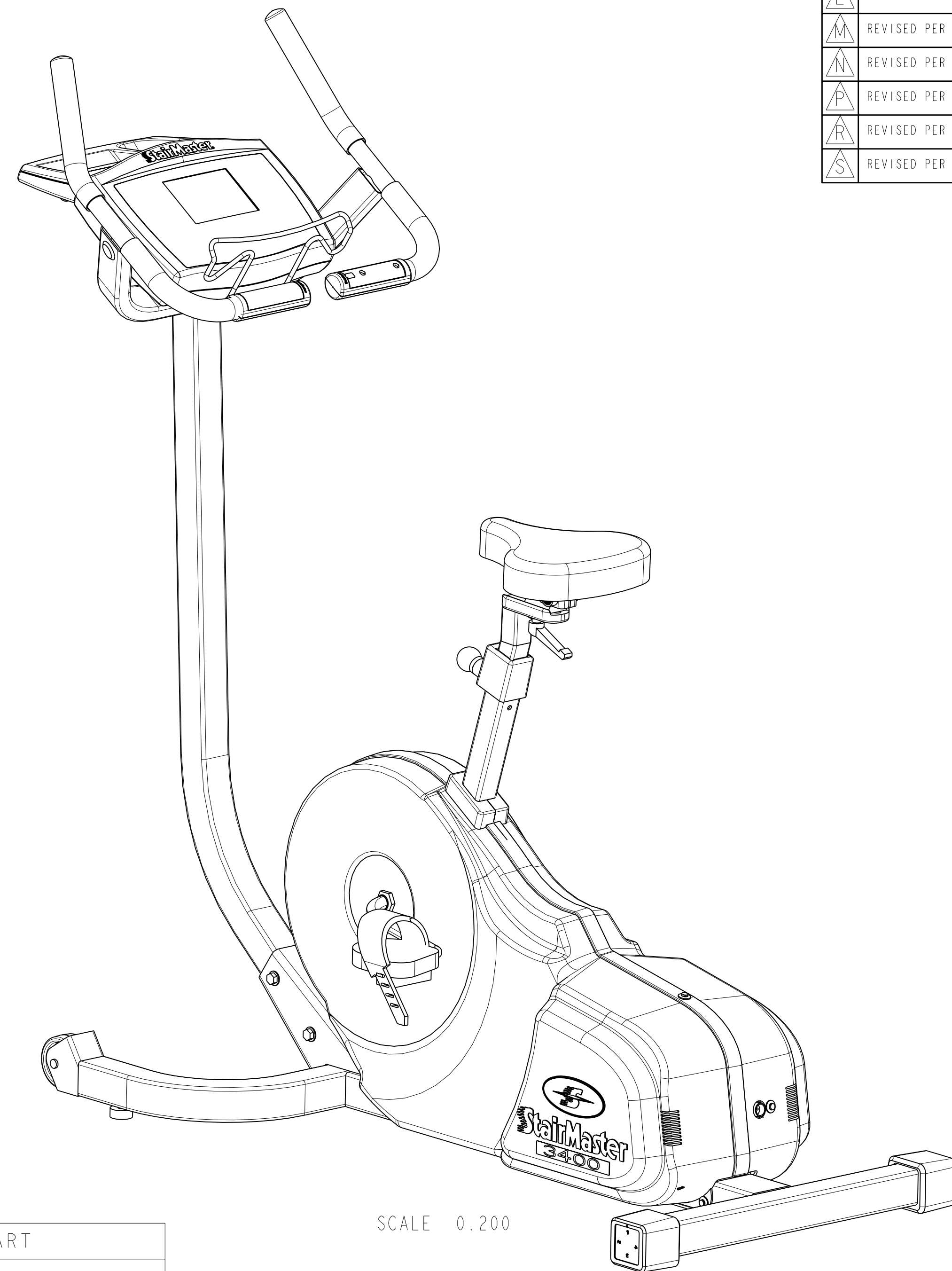


BOM FOR ASSEMBLY 25500		
COMPONENT	DESCRIPTION	QTY
11137	WASHER, BRASS	1
13547	WASHER, #10, INTERNAL TOOTH LOCK	1
13584	CABLE, ALTERNATOR, 3300CE/3900RC	1
18072	RIVET, PERM.	7
20205	ALTERNATOR	1
20206	SNAPRING, ODI. 125, ID. 906	1
21146	GROMMET, GRO-1-UL	2
21204	ASSY, DIODE	1
21445	ASSY, SPEED SENSOR, CLIMBING SYS, CL	1
21509	WASHER, THRUST	4
22023	NUT, #10-24, NYLON INSERT	1
22027	WASHER, .250 SPLIT LOCK	4
22030	WASHER, 3/8 USS FLAT	2
22038	WASHER, .250 USS FLAT	2
22093	SCREW, 5/16-18 X .75, HEX HD CAP	2
22138	WASHER, .250 INTERNAL LOCK	4
22162	SCREW, .250-20 X .75, HEX HD CAP	2
22191	WASHER, SHOULDER, .38	2
22246	SCREW, .375-16 X 1.00, HEX HD CAP	1
22275	SCREW, #6 THREAD FORMING X .38 PHILLIPS	1
22516	BRACKET, SPEED SENSOR, 4400 CL	1
22517	DISK, SPEED, SENSOR, 4400 CL	1
23791	TAPE, SAFETY WALK, 1 IN. WIDE, BLK	1
24056	BEARING, BALL 26MM X 47MM	2
24073	NUT, JAM, BOTTOM BRACKET	2
24083	SHIELD, CRANK, LEFT	1
24086	ASSY, BEARING NUT, RH	1
24087	ASSY, BEARING NUT, LH	1
24551	WASHER, FLAT, NYLON, .409 ID	2
24640	SCREW, 3/8-16 X 1.75, HEX HD CAP	1
25176	SCREW, .375-16 X 1.00, HEX HD CAP, NITRIDED	4
25177	WASHER, FLAT, .375 NITRIDED	4
25411	SCREW, SOC HD CAP, .250-20UNC X 1.25	2
25415	DECAL, 3400	2
25422	RUBBER, SPACER	1
25423	PEDAL, SCHWINN EXTRA WIDE	1
25454	SCREW, .25-20 X .75, HEX	4
25463	CABLE ASSY, INLINE TO POWER PCBA	1
25501	WELDMENT, MAIN FRAME	1
25502	ADJUSTABLE SEAT HANDLE, METAL	1
25520	WELDMENT, SEATPOST	1
25526	ASSEMBLY, CONSOLE/HANDLE	1
25532	NUT, #8-32, HEX ACORN, BLACK	2
25533	WASHER, #8 SAE FLAT	4
25534	SCREW, 8-32NC X .62 PHIL HD	2
25539	SEAT, 3000 CE	1
25540	CAP, SEAT, 3400	1
25542	STABILIZER, SEAT POST, 3400	1
25544	SLIDER, SEAT POST	1
25603	ASSY. SMALL HTD, BIKE	1
25605	ASSY, PULLEY, 6.23 IN, CLUTCH	1
25608	BRACKET, RESISTOR, HANGAR	1

BOM FOR ASSEMBLY 25500		
COMPONENT	DESCRIPTION	QTY
25611	ASSEMBLY, RESISTOR,	1
25616	ASSY, POWER BOARD	1
25620	BELT, HTD, 1400 MM PICTH LENGTH	1
25621	BELT, POLY-V, 28 IN PITCH LENGTH	1
25622	ASSEMBLY, IDLER	1
25626	ASSY, PULLEY	1
25637	EYE BOLT, #10 X 2	1
25644	WASHER, SS, 1.01 ID X 1.565 OD	1
25653	ASSEMBLY, COVER, LEFT	1
25654	ASSEMBLY. COVER, RIGHT	1
25656	GROMMET	1
25701	WASHER, SHOULDER, 10SC312025	1
25814	FLYWHEEL, 3400, 3800	1
25816	1/2" CRANK, 181Q	1
28353	3-3/4 INCH TAPER NOSE POP PIN	1

- NOTES:
- LUBRICATE WITH LUBRISOL GREASE: SMALL HTD ASSEMBLY SHAFT (25603)
 - CENTER POLY-V BELT (25621) ON FLYWHEEL (22911) CENTER HTD BELT ON PULLEY (25601) AND HUB (25603).
 - PLACE FIELD DIODE ASSEMBLY (21204) BETWEEN FIELD AND GROUND TERMINALS ON 19:ALTERNATOR (20205).
 - LOCTITE #242 SCREWS IN PLACE.
 - TORQUE TO 40 IN LBS.
 - MODEL LEVEL ITEM REFERENCE MODEL LEVEL BOM.

REVISIONS			
REV	DESCRIPTION	DATE	DRAFTER
A	RELEASED FOR PRODUCTION PER ECO #7189	2/1/01	RH
B	REVISED PER ECO #8072	7/9/01	RH
C	REVISED PER ECO #8084	7/18/01	RH
D	REVISED PER ECO #8101	8/20/01	RH
E	REVISED PER ECO #8116	9/10/01	RH
F	REVISED PER ECO #8141	10/23/01	KF
G	REVISED PER ECO #8167	10/30/01	RH
H	REVISED PER ECO #8184	10/31/01	RH
J	REVISED PER ECO #8197	11/8/01	RH
K	REVISED PER ECO #8239	12/8/01	RH
L	REVISED PER ECO #8318	3/21/02	KF
M	REVISED PER ECO #8345	4/24/02	RH
N	REVISED PER ECO #8355	6/4/02	RH
P	REVISED PER ECO #8388	8/22/02	RH
R	REVISED PER ECO #8398	10/2/02	RH
S	REVISED PER ECO #8509	1/28/03	RH



SCALE 0.200

FINISH CHART		
P/N	DASH #	FINISH
25500	-00	N/A
	-01	WHITE POWDERCOAT
	-02	TEXTURED BLACK POWDERCOAT
	-03	WRINKLE BLACK POWDERCOAT
	-04	GLOSS BLACK POWDERCOAT
-05	OUTSIDE PROCESS, SEE NOTES	
*SUFFIX DETERMINED BY P/N #25501		

TOLERANCES	
.X ±.1	ANGLES: BENT ±2°
.XX ±.03	MACHINED ±0°30'
.XXX ±.010	

CONFIDENTIAL & PROPRIETARY
THIS DOCUMENT IS THE PROPERTY OF STAIRMASTER SPORTS/MEDICAL PRODUCTS, INC. IT MAY NOT BE REPRODUCED IN WHOLE OR IN PART, PROVIDED TO THIRD PARTIES, OR USED FOR ANY PURPOSE OTHER THAN THE PERFORMANCE OF WORK FOR STAIRMASTER, WITHOUT WRITTEN AUTHORIZATION. ALL RIGHTS ARE RESERVED INCLUDING COPYRIGHTS.

- UNLESS OTHERWISE SPECIFIED:
- DO NOT SCALE DRAWING
 - ALL DIMENSIONS ARE IN INCHES
 - ALL DIMENSIONS APPLY BEFORE PLATING OR COATING
 - REMOVE ALL BURRS BREAK SHARP EDGES .020 MAX ALL MACHINED SURFACES 125 ✓
 - ALL VIEWS 3RD ANGLE PROJECTION

PROD/PUR MGR.	
MFG. ENGR.	
DSGN. ENGR.	
ENGRG. MGR.	
MATERIAL	N/A
FINISH	SEE CHART

StairMaster HEALTH & FITNESS PRODUCTS, INC.

TITLE: **ASSEMBLY, FINAL, 3400**

SIZE: **D** RELEASED FOR PRODUCTION ECO #7189
 DWG NO: **25500**
 SCALE: 0.250 PLOT DATE: 1/28/03 SHEET 1 OF 5

D

C

B

A

D

C

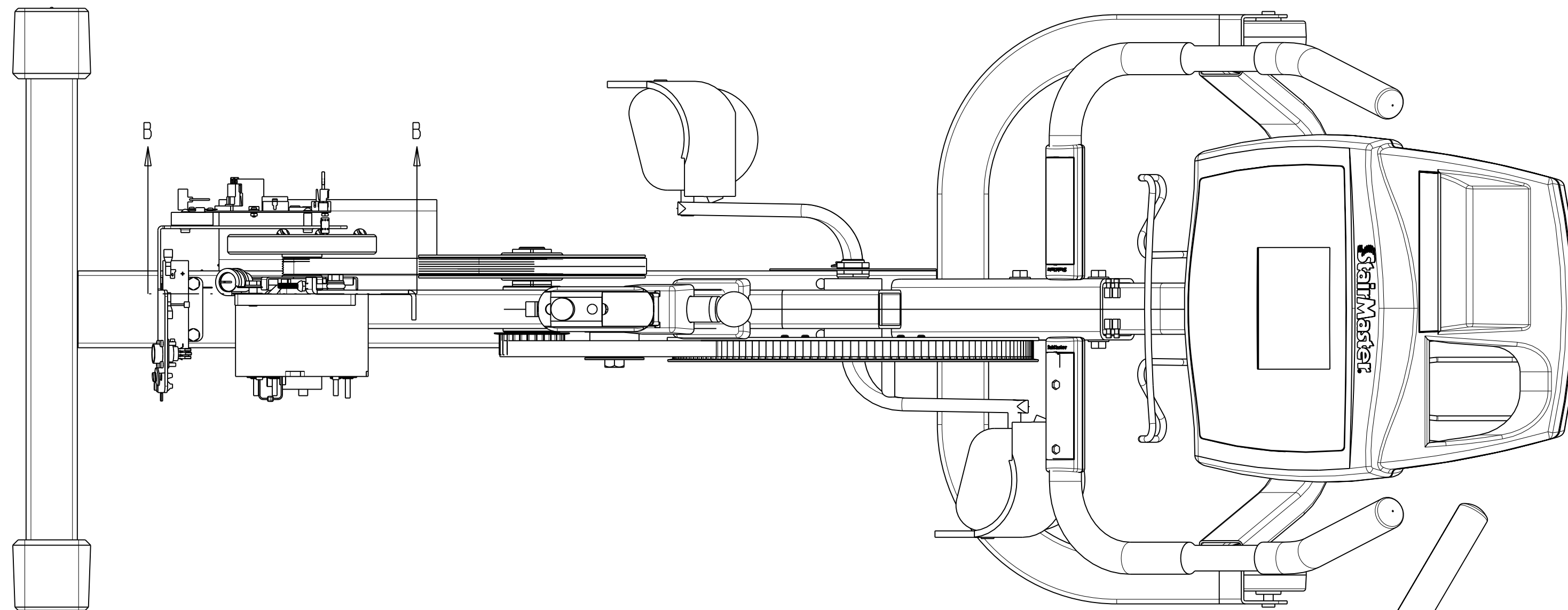
B

A

8 7 6 5 4 3 1

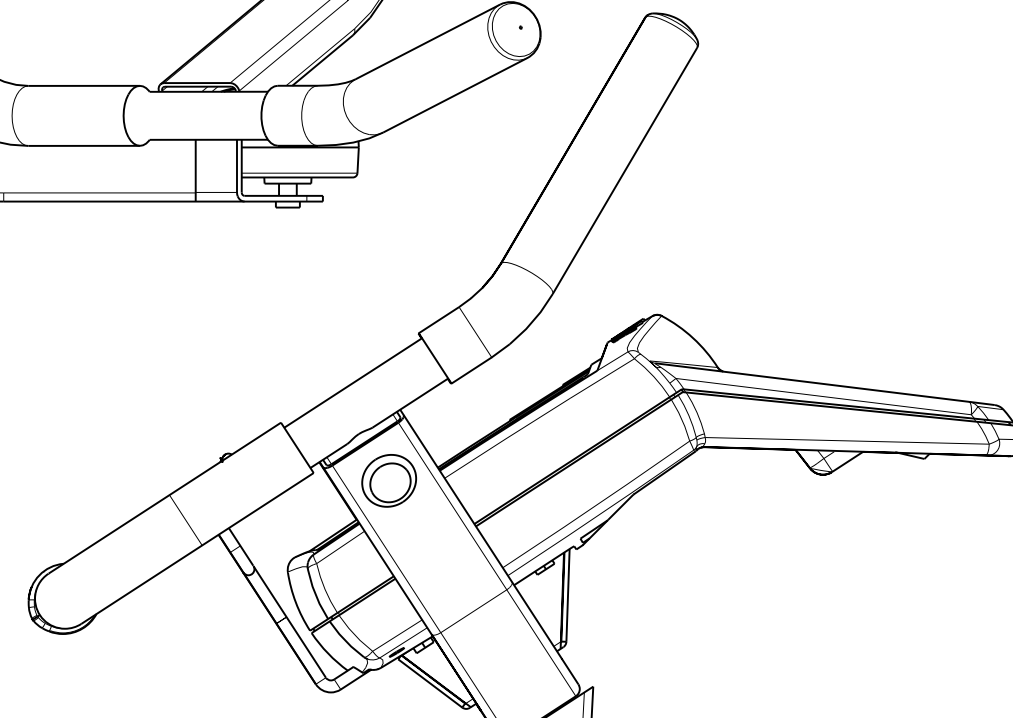
D

D



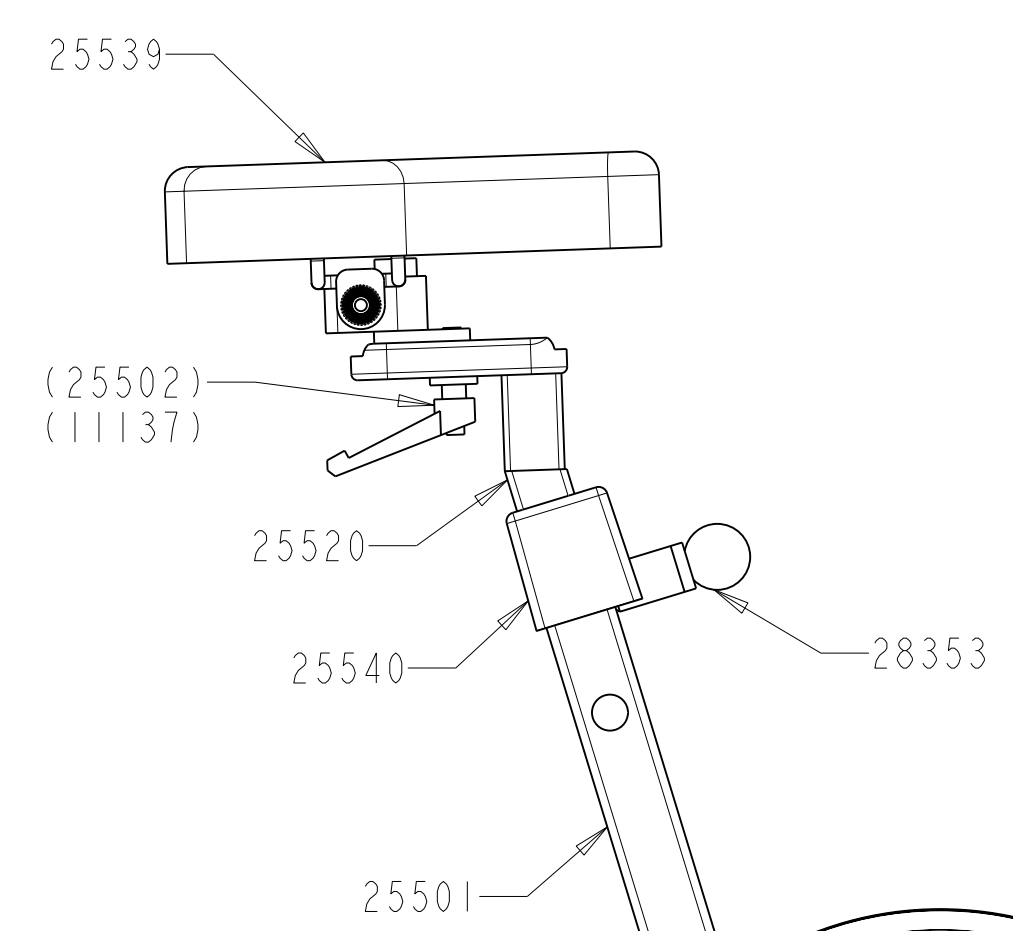
C

C



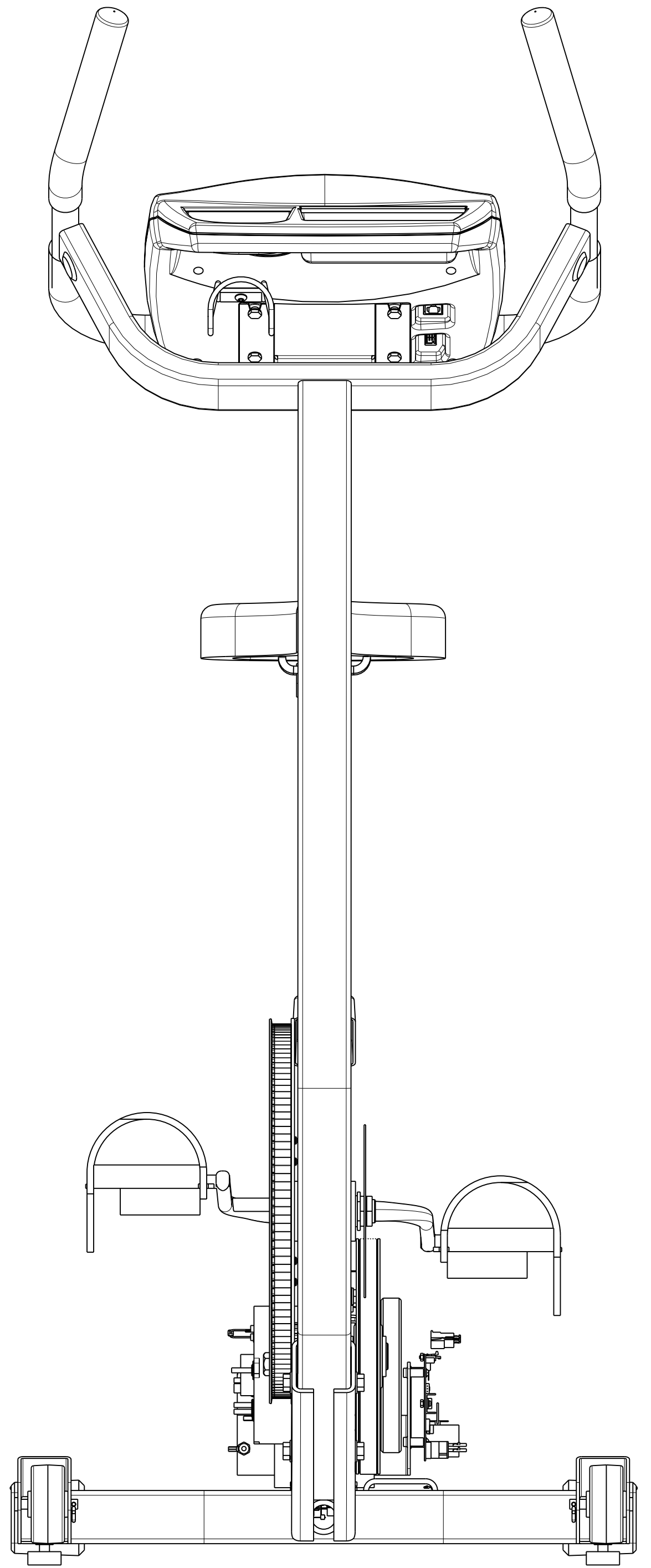
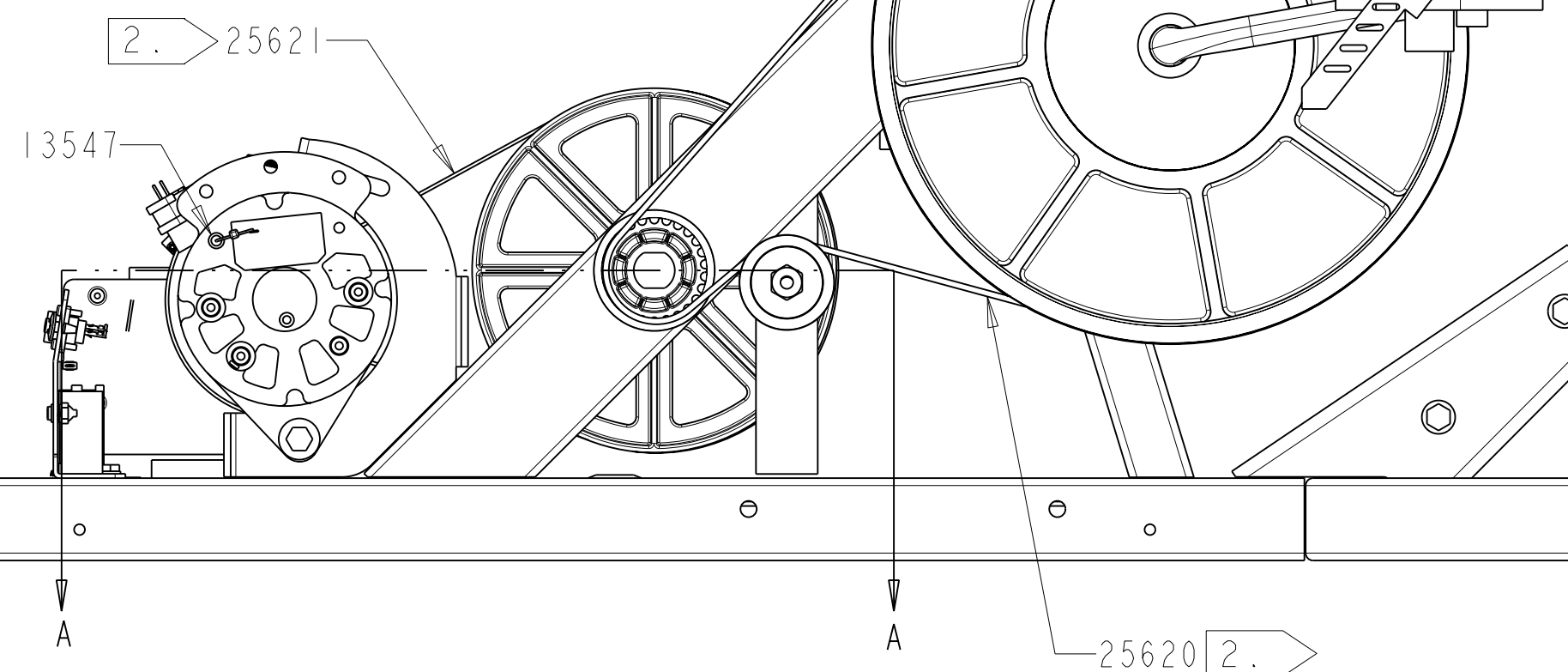
B

B



A

A

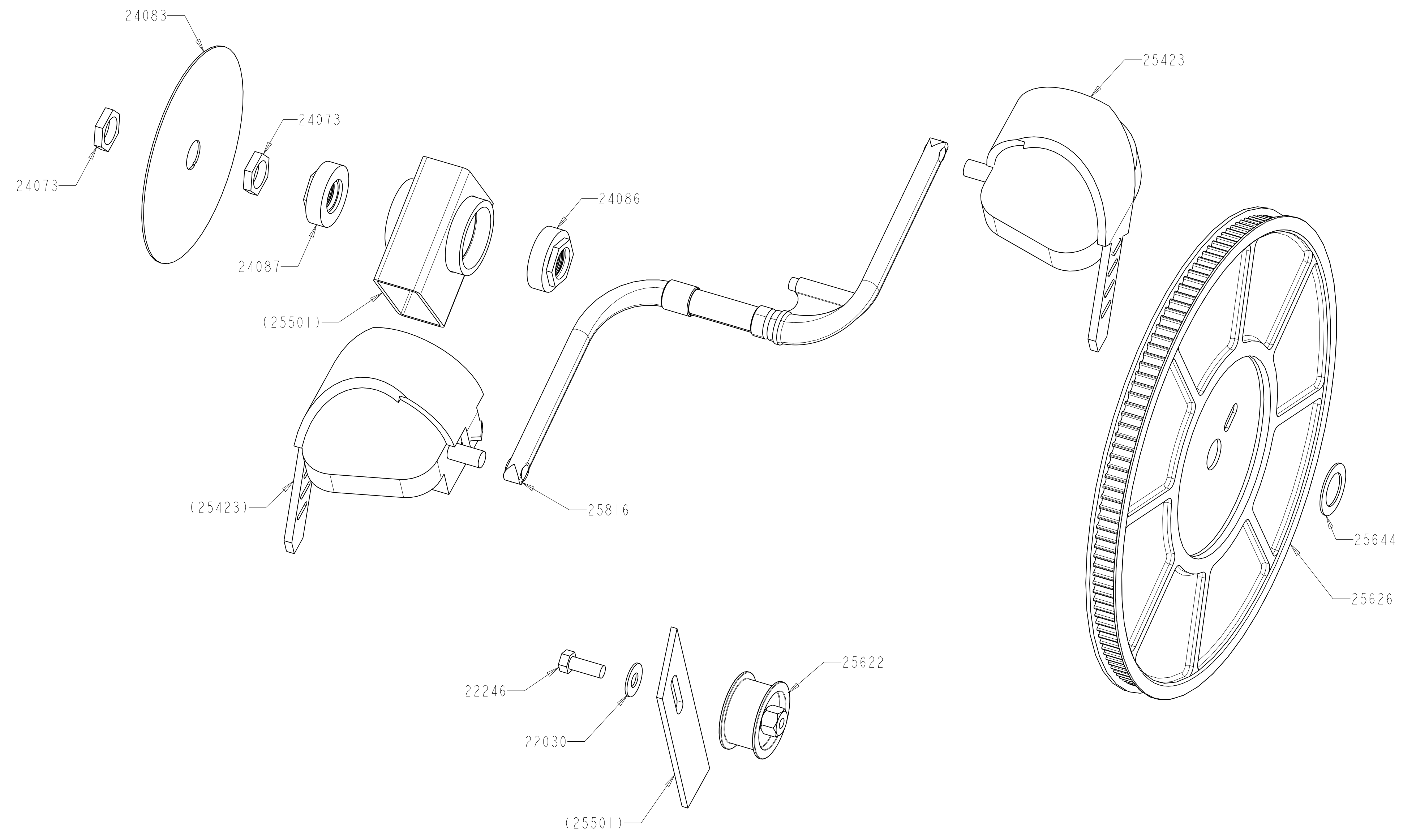
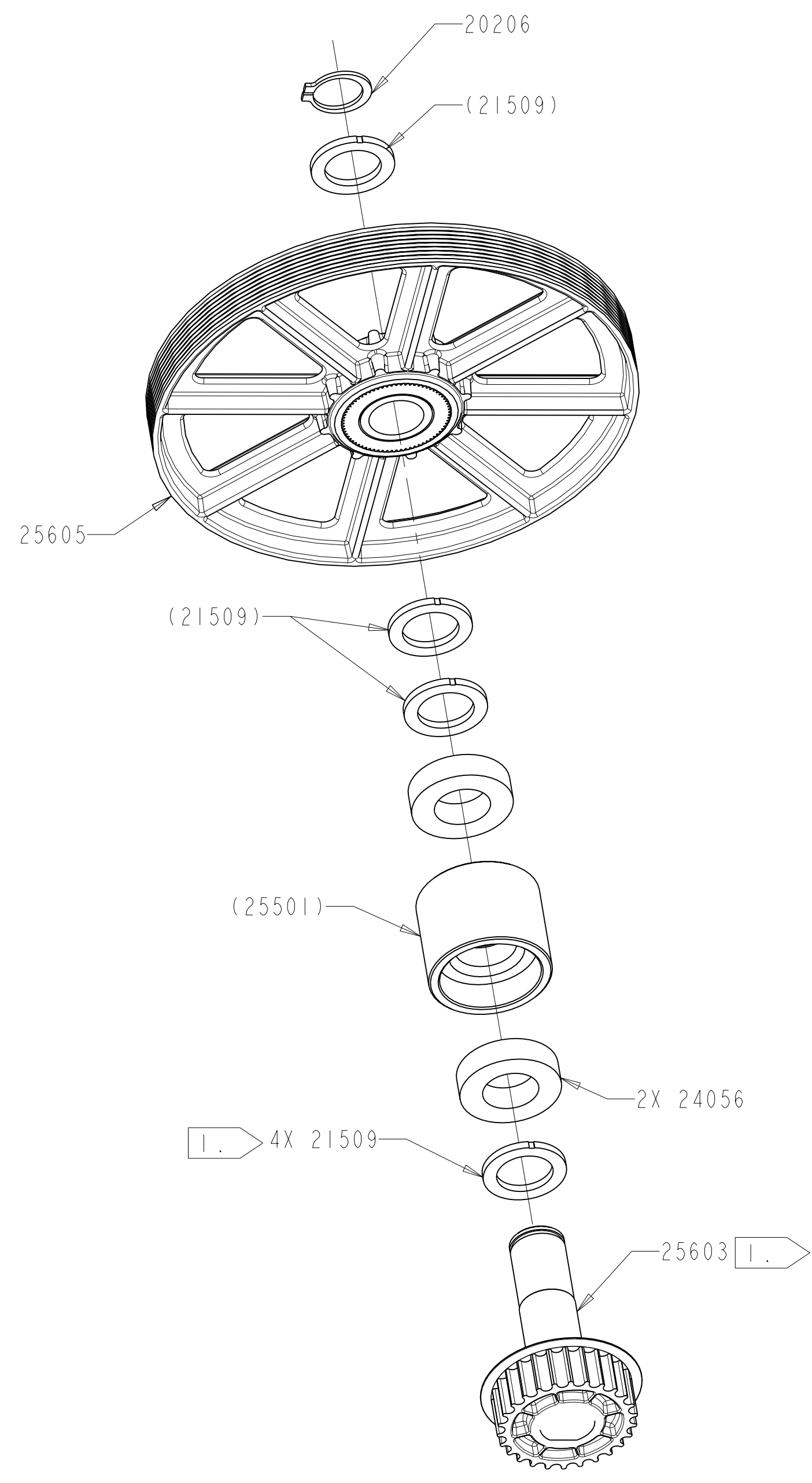
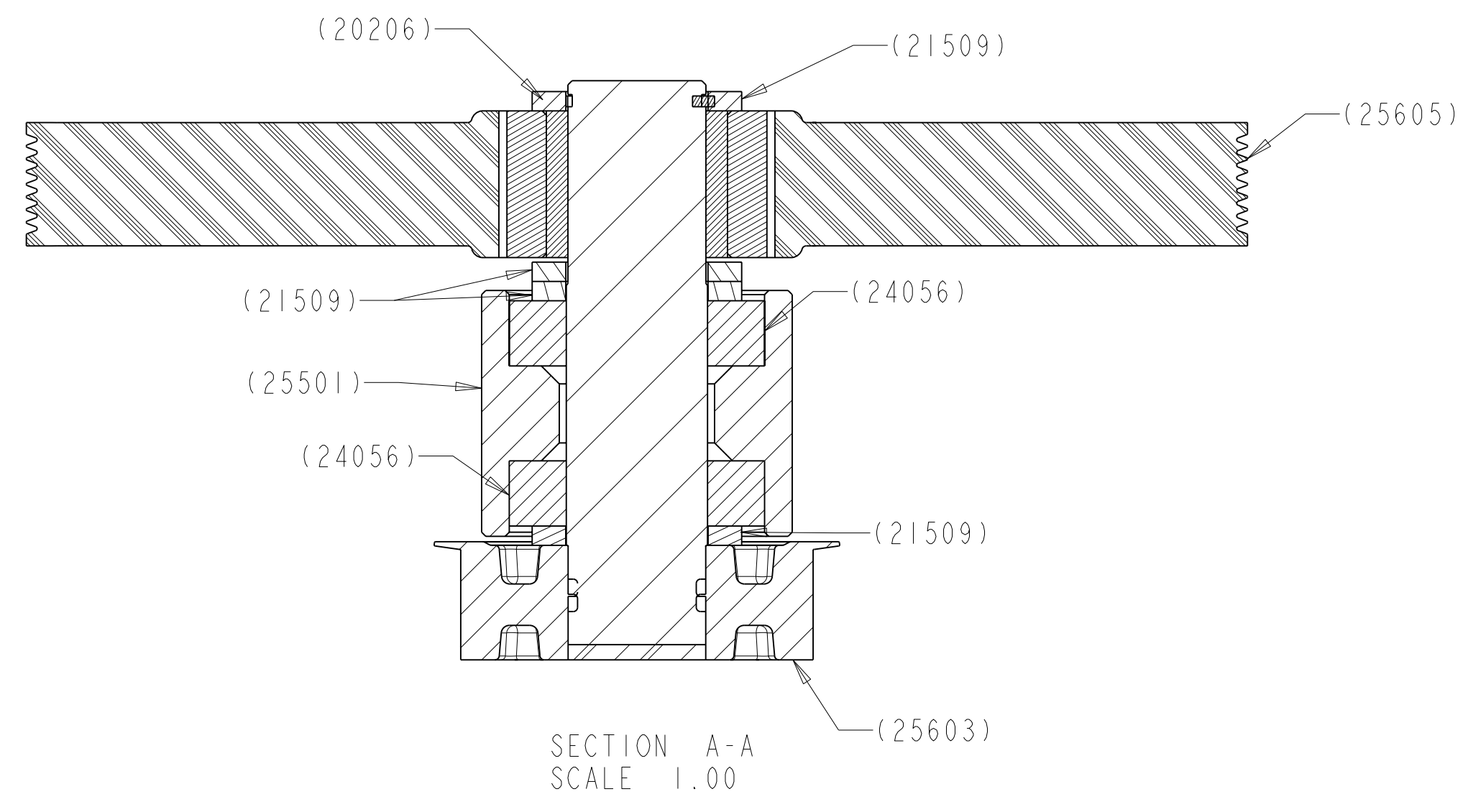


CONFIDENTIAL & PROPRIETARY THIS DOCUMENT IS THE PROPERTY OF STAIRMASTER SPORTS/MEDICAL PRODUCTS, INC. (SEE SHEET 1 FOR FULL TEXT)			SIZE D	DWG NO: 25500	VER. 	REV.
DRAFTER		SCALE: 0.250	PLOT DATE: 1/28/03	SHEET 2 OF 5	PRO/ENGINEER GENERATED DRAWING FILE NAME: 25500.DRW	

8 7 6 5 4 3 1

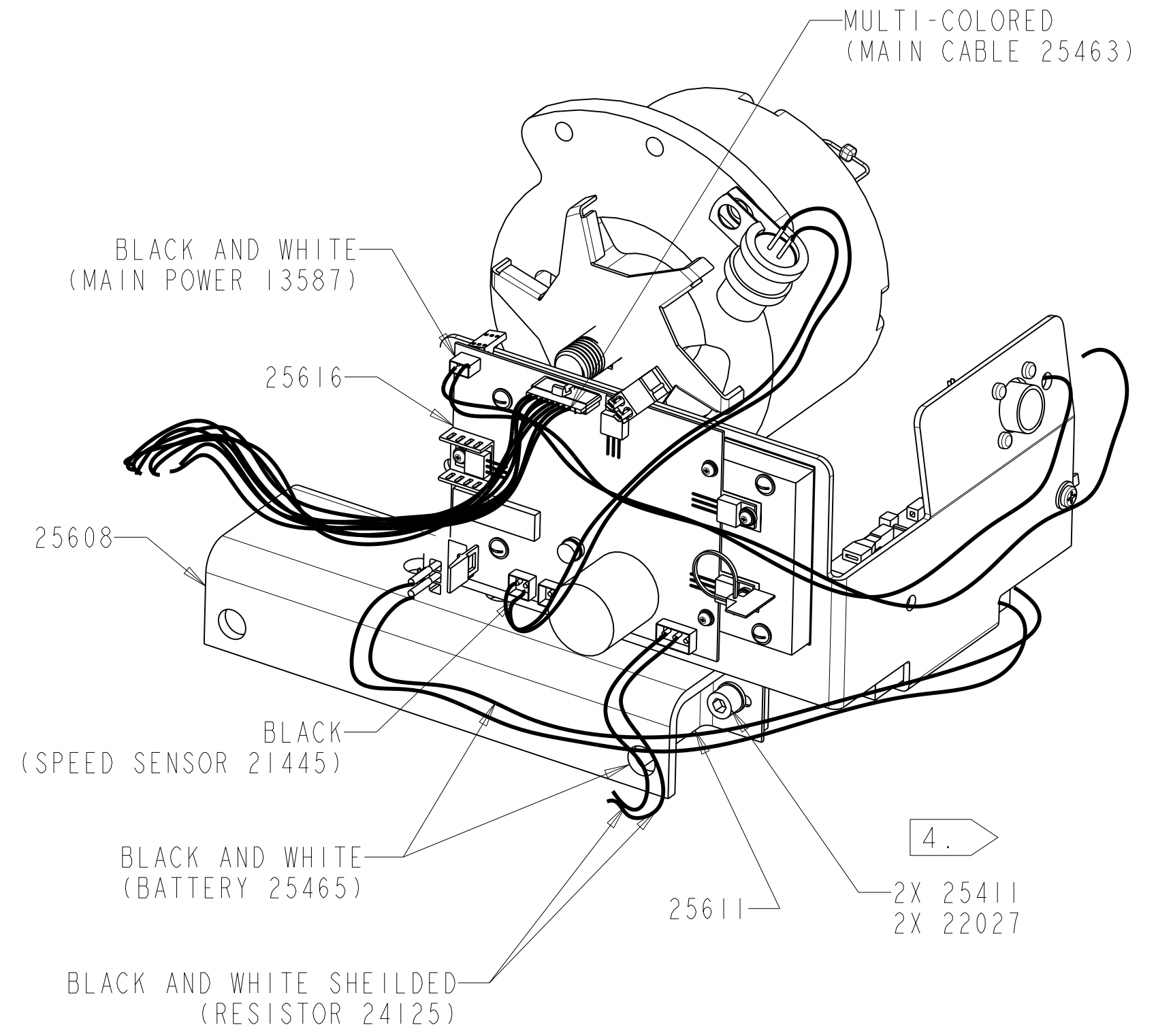
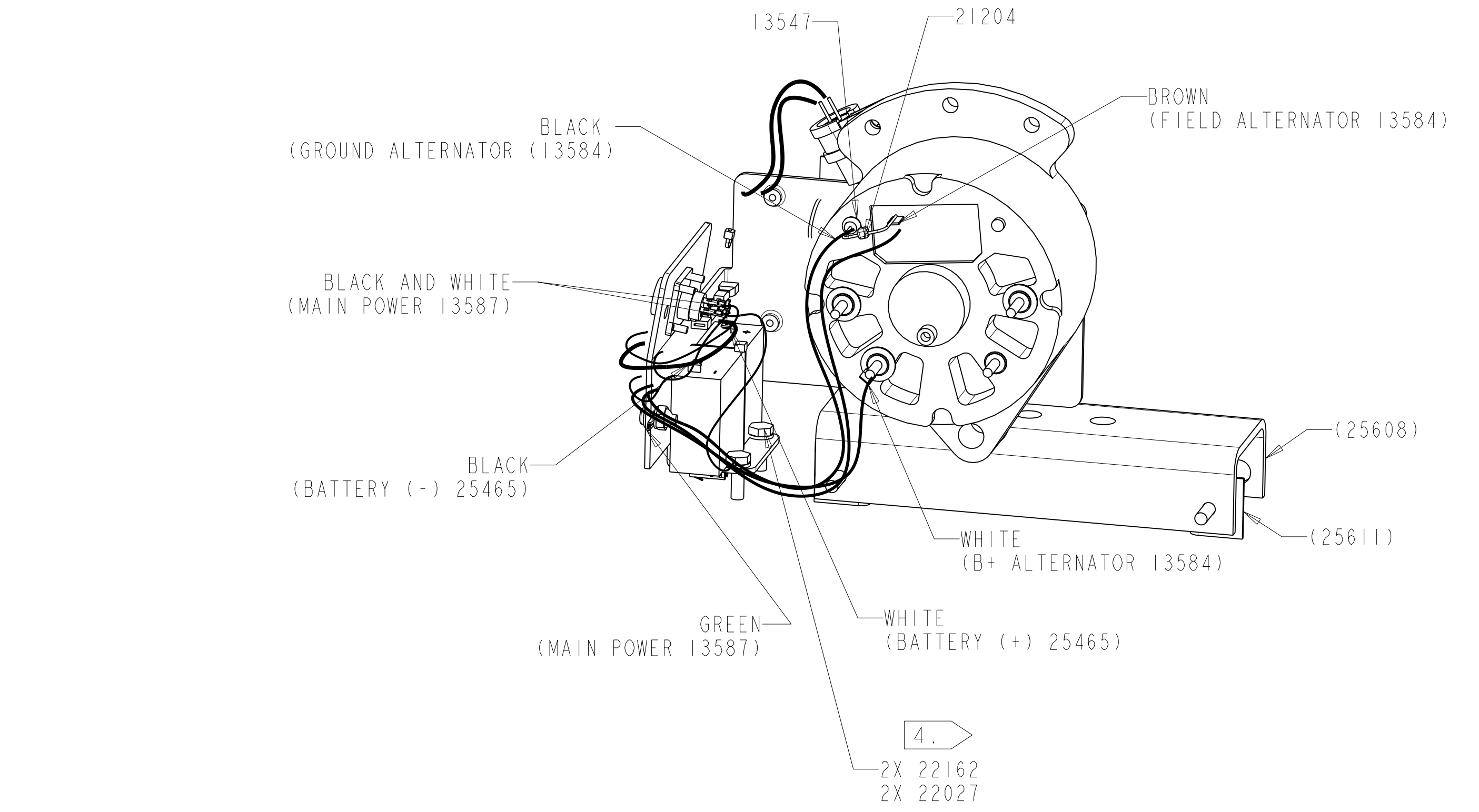
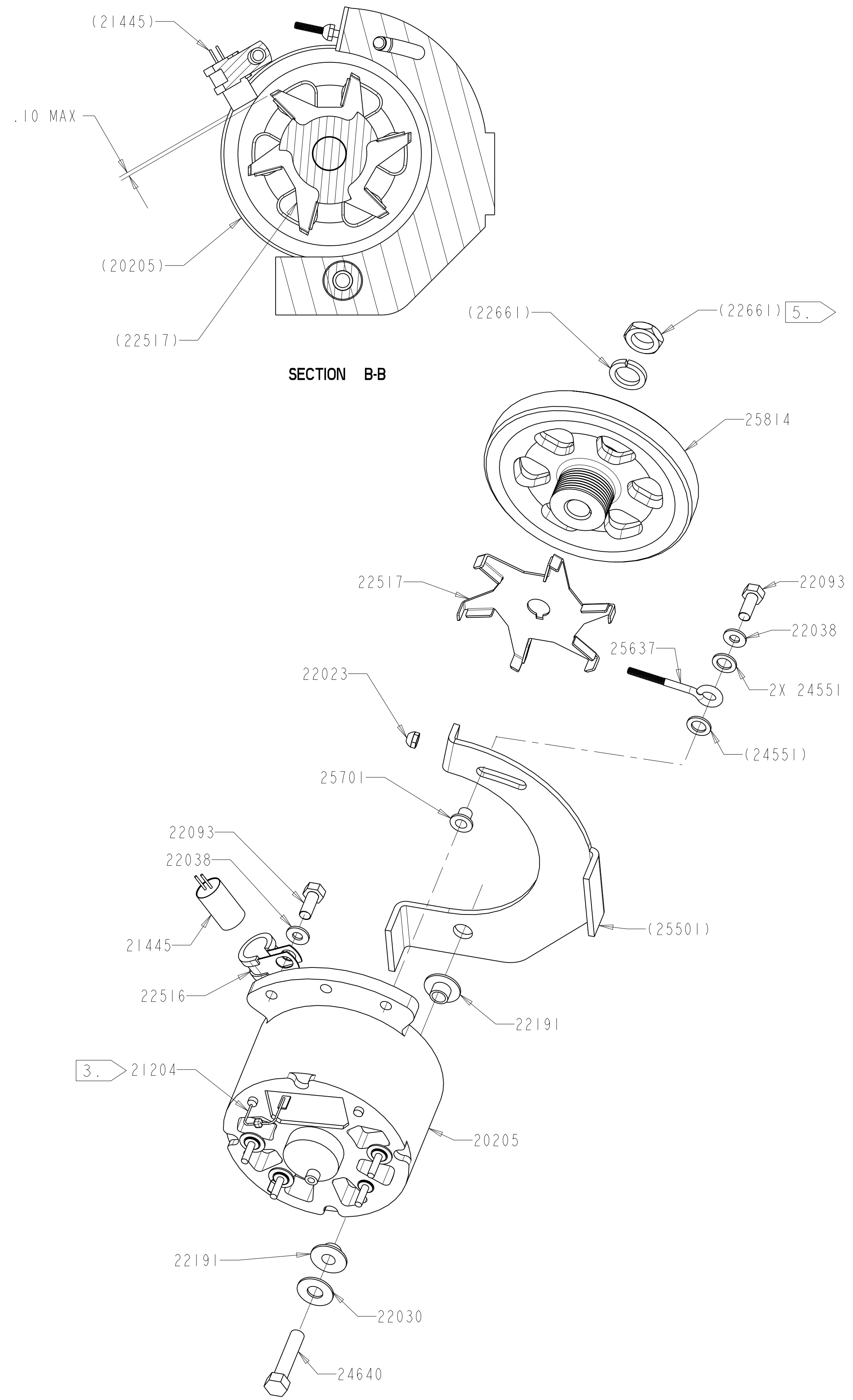
8 7 6 5 4 3 1

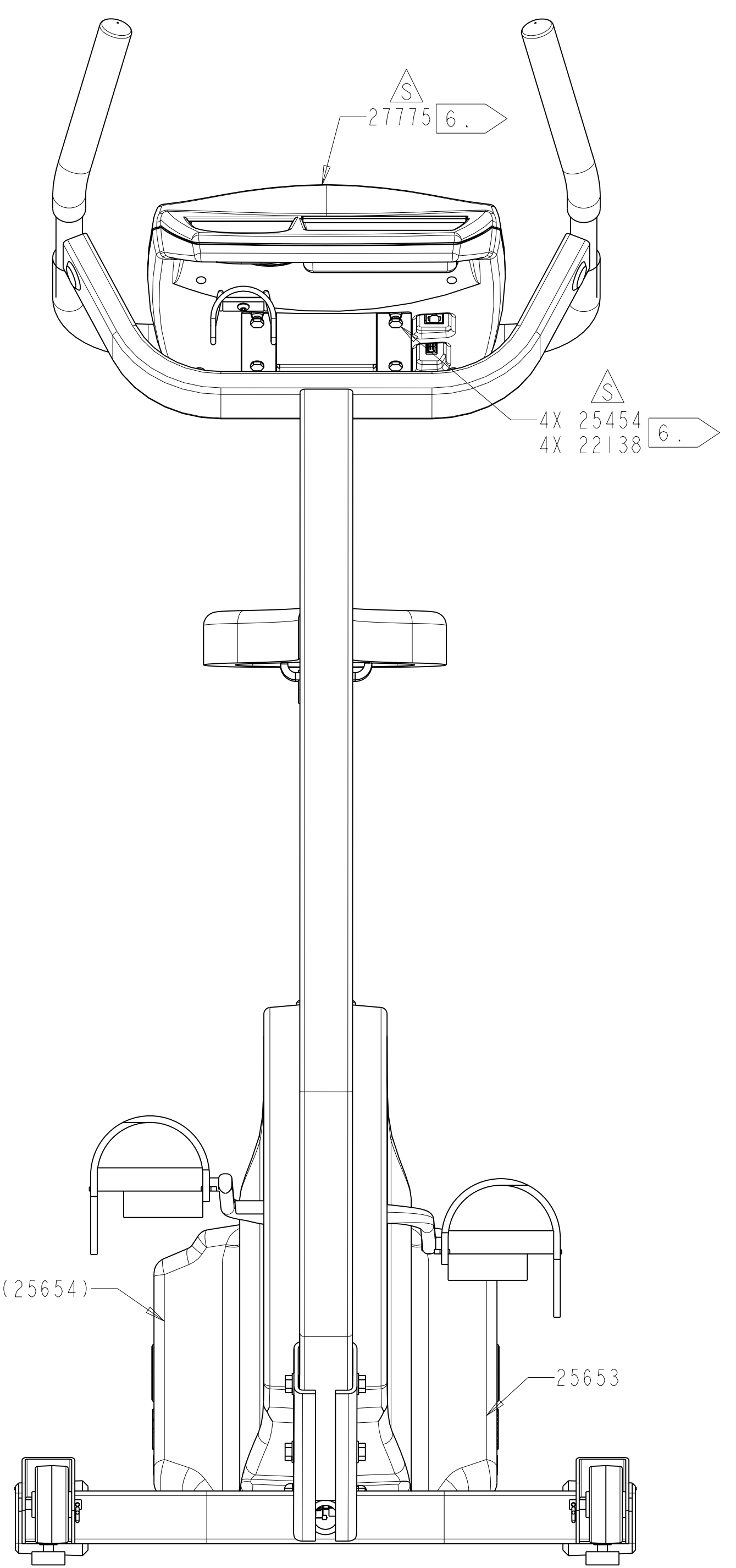
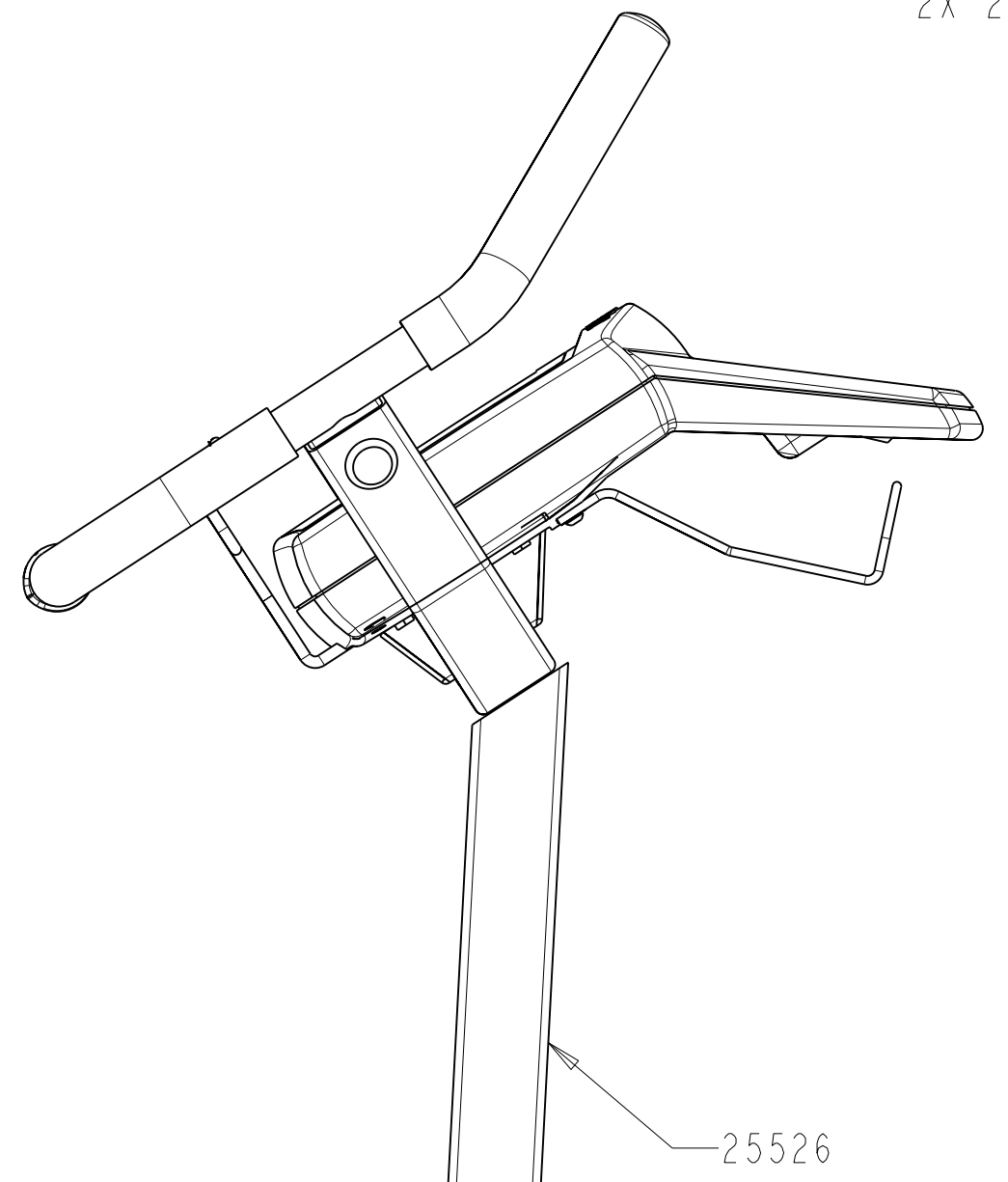
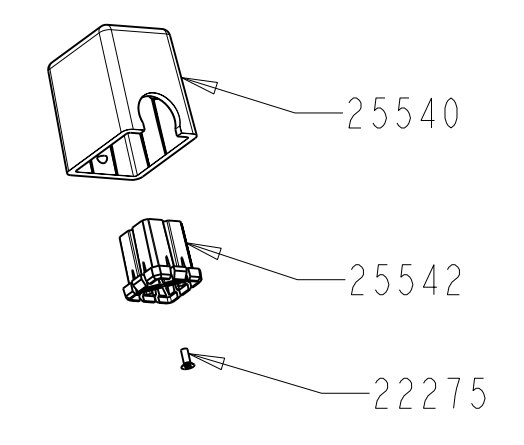
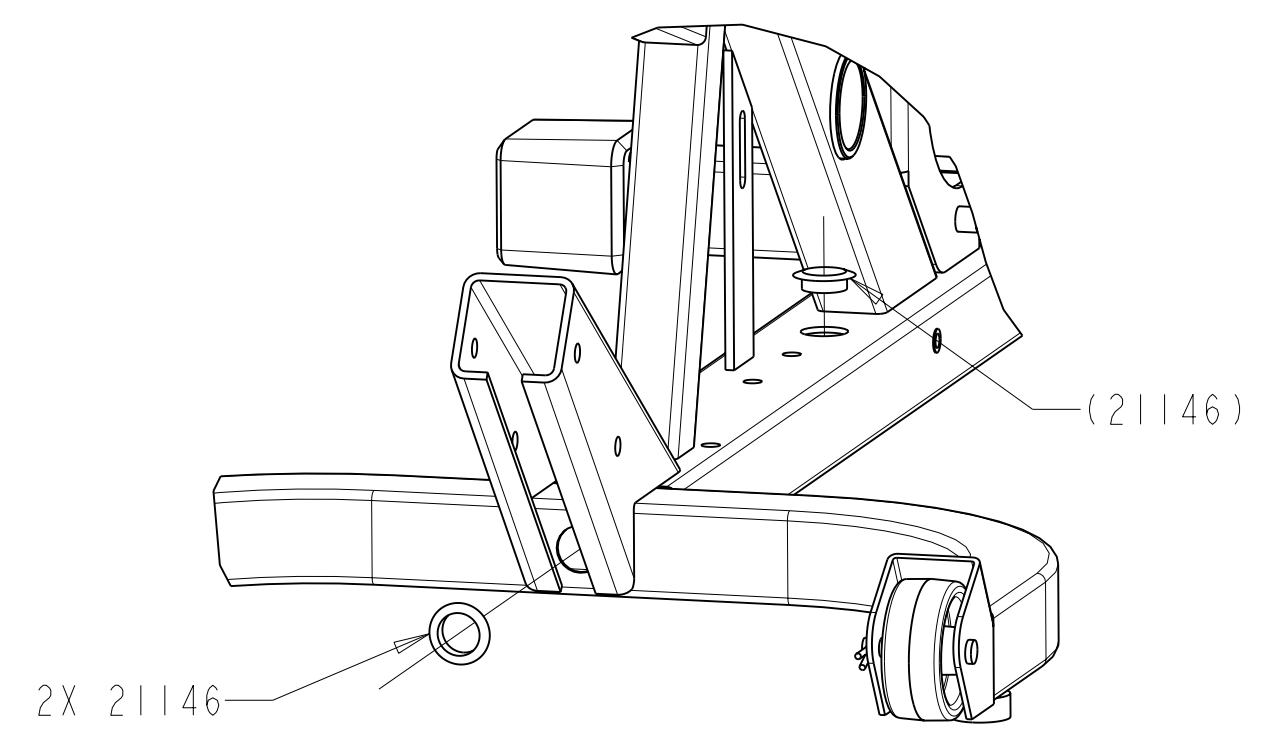
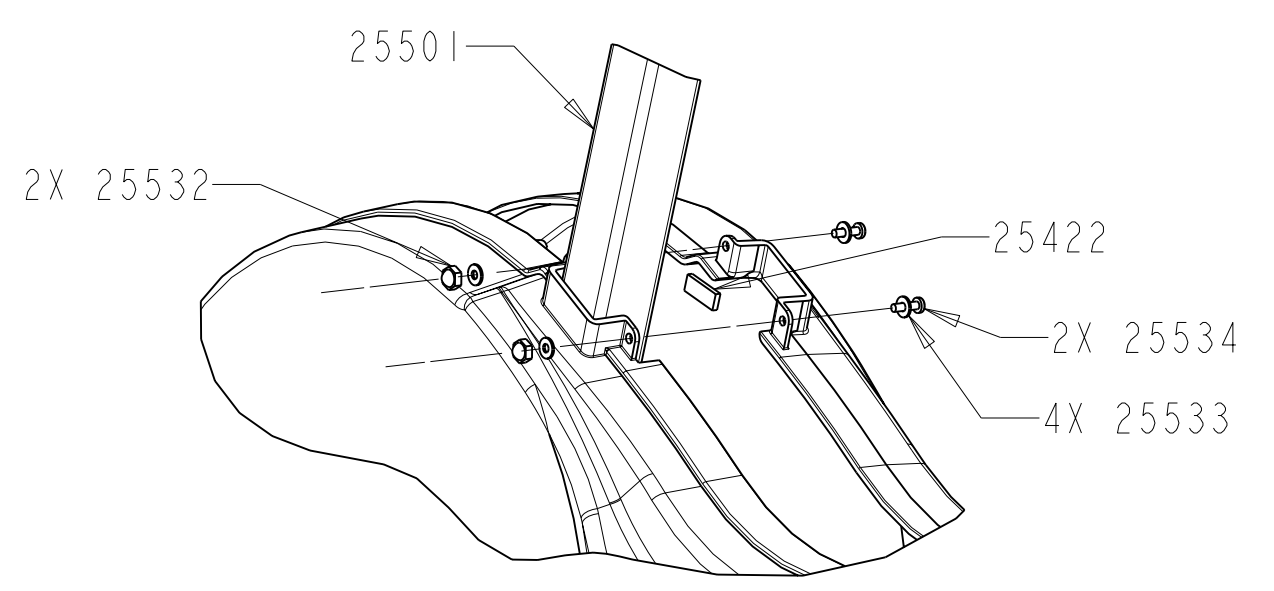
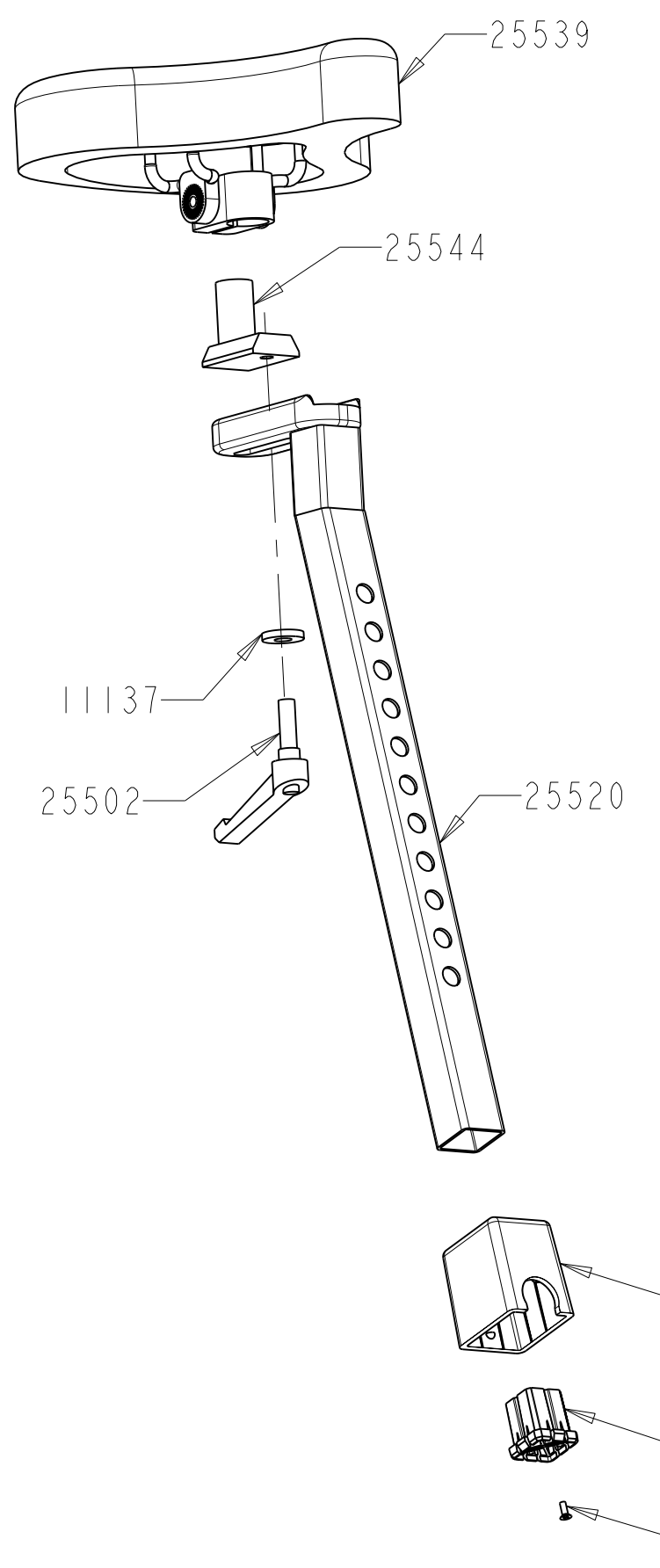
D
C
B
A



CONFIDENTIAL & PROPRIETARY THIS DOCUMENT IS THE PROPERTY OF STAIRMASTER SPORTS/MEDICAL PRODUCTS, INC. (SEE SHEET 1 FOR FULL TEXT)			SIZE D	DWG NO: 25500	VER. 	REV.
DRAFTER	SCALE: 0.500	PLOT DATE: 10/27/02	SHEET 3 OF 5		PRO/ENGINEER GENERATED DRAWING FILE NAME: 25500.DRW	

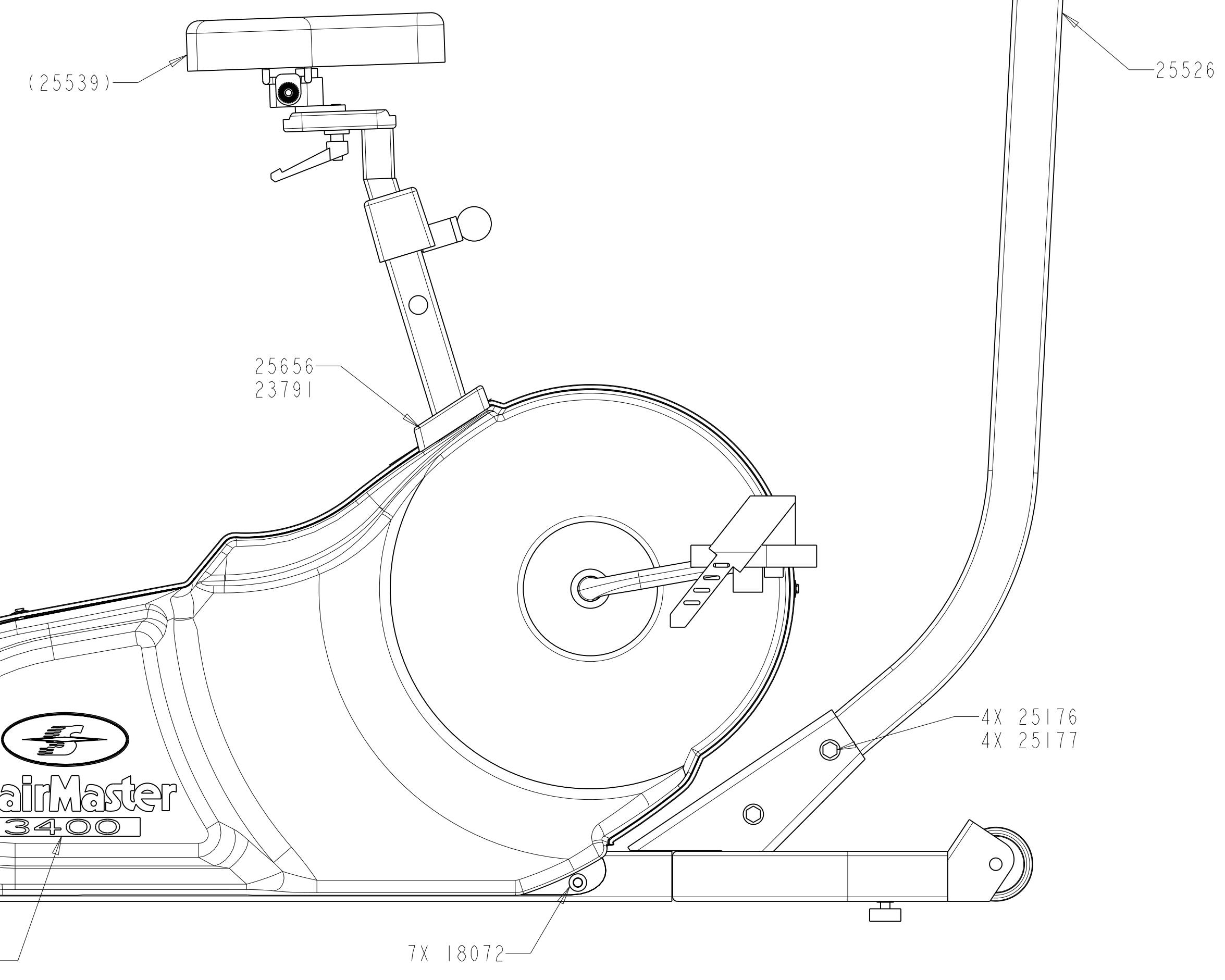
8 7 6 5 4 3 1





SCALE 0.250

SCALE 0.250



StairMaster
3400

CONFIDENTIAL & PROPRIETARY THIS DOCUMENT IS THE PROPERTY OF STAIRMASTER SPORTS/MEDICAL PRODUCTS, INC. (SEE SHEET 1 FOR FULL TEXT)		StairMaster HEALTH & FITNESS PRODUCTS, INC.	SIZE D	DRG NO: 25500	VER. △	REV. △
DRAFTER	SCALE: 0.250	PLOT DATE: 1/28/03	SHEET 5 OF 5		PRO/ENGINEER GENERATED DRAWING FILE NAME: 25500.DRW	